



DESIGNED FOR  
OPEN PLAN LIVING.



## Tasty and Healthy



VITAMIN C increasing by 10%\*1  
Stimulates the food manufacturing process (Photosynthesis)

	▶	
Conventional 2011 model (MR-RX62T)		Mitsubishi Electric's Vitamin Factory

### VITAMIN FACTORY

Vitamin Factory acts on chlorophyll in vegetables. It stimulates the food manufacturing process (photosynthesis) and increase the vitamin content of vegetables with the ultimate aim of keeping vegetables greener and fresher.

The triple-coloured LED light which help to increase vitamins 1.5 times acts as “miniature sun” to help promote longer-lasting freshness, sustain nutrients and increase vitamins in vegetables.

### HUMIDITY CONTROL

The vegetable drawer features humidity controls to regulate the amount of moisture in the crisper.





### ● EASILY STORE LARGE ITEMS

Large items that cannot fit in before can now be stored easily without having to take food out for arrangements.

### ● EFFICIENTLY USES THE UPPERMOST AREA

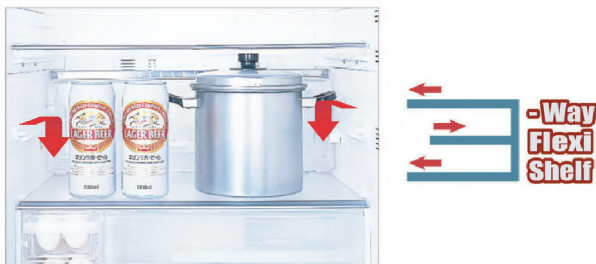
Easy to handle even for petite woman as the shelves can be lowered down easily.

### ● SECURE SHELF SPACE

A higher space can be achieved without shelf-folding, which allows the smaller shelf to still be used.

### 3-WAY FLEXISHELF

Our 3-Way flexishelf enables you to easily remove shelves in our refrigerators to accommodate your storing needs.



### TEMPERED GLASS SHELF

Every compartment in our refrigerator shares a spacious storage area. Our shelves are made from safety tempered glass. Up to 100kg (max)



Very tough glass shelves can load up to 100kg (max)

### DOUBLE ANTI-BACTERIAL FOOD LINER

A silvery inorganic anti-bacterial material, it is used in the inner cabinet of the refrigerator. The material conforms to the Japanese food sanitation law and is harmless to the human body if ingested.

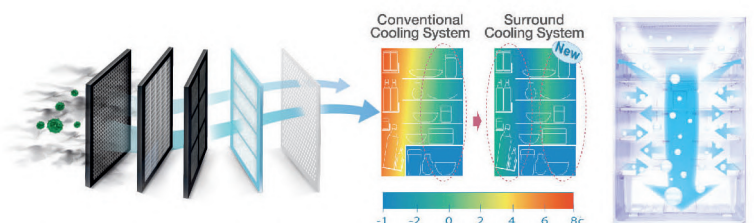


3rd party institute has tested the effects. We started with 340,000 colon bacillus on 2 plastic material. After 24 hours, ordinary plastic gets 11 bacterial but anti-bacteria plastic has only 1,300 bacteria.



### SURROUND MULTI AIR-FLOW SYSTEM

Mitsubishi Innovative Surround Multi Air-Flow System distributes uniform cooling air via 6 temperature regulating points in the refrigerator, to all shelves, even hard-to-cool places such as filled door pockets.



The major purpose of MINUS ION is to increase moisture inside the fridge & to preserve nutritional value of food.

### THE UNI-GLASS (\*for selected models only)

Lighter than glass door and easier to carry if it need of changing position. Plus, it gives the refrigerator a more luxurious image with glossy look.



Silver Wave Line (SLW)



Brown Wave Line (BRW)

# One Door



## MR-18PA 180L

**Dimension (mm)**  
555 (W) x 1214 (H) x 596 (D)

**Weight (kg)**  
38

### Gross Capacity

**R**  
Refrigerator Compartment  
180 Litres

### Main Features:

- Anti Bacteria Door Gasket
- CFC Free
- Minus Ion
- Uni Chilled Case

### COLOURS



Silver



Black



### SINGLE DOOR *Smart, Compact, Beautiful*

Our smart, compact all-in-one freezer and refrigerator units with a Uni-Chilled Case that can be folded to fit larger items are the ultimate in one-stop refrigeration.

# Freezer



### FREEZER *A Cooler Alternative*

Our Proprietary Rapid Cool technology ensures that usual, saving energy and making our freezers the temperature drops dramatically to cool things faster cooler alternative for additional storage.

## MF-U16J-W-ML1 144L

**Dimension (mm)**  
480 (W) x 1291 (H) x 586 (D)

**Weight (kg)**  
41

### Gross Capacity

**F**  
Freezer Compartment  
140 Litres

### Main Features:

- Anti Bacteria Door Gasket
- Frost Free
- CFC Free
- Rapid Freezer Mode

### COLOURS



White

# Feature Multi Fan

Mitsubishi innovative surround multi air-flow system distributes uniform cooling air via 6 temperature regulating points in the refrigerator, to all shelves, even hard-to-cool places such as filled door pockets. Class cool air with Negative-Ion to hinder the growth of bacteria and is emitted from all sides to create surround cooling, keeping food fresh longer.



## INTERNAL COOLING FAN

Provides 3 speed cooling levels for both surroundcooling and multi airflow system.

## NEURO ELECTRONIC DAMPER

If the temperature in R-room is higher than 30C the damper will automatically open to let the air from F-room flow down to balance the temperature inside R-room. The system is more stable than Thermo Damper.

## OUTER FAN

Helps in cooling down compressor heating and making more efficiency operation by using less energy consumption.



## MASTER OF TECHNOLOGY

Innovation caters to the lifestyle of new generation with integration of high technology for better efficiency and convenience usage.



## MASTER OF DURABILITY

We think, create, and plan for every production. In addition of usage of high quality materials, our products have been long in accepted quality and durable use.



## MASTER OF ENERGY SAVING

In Mitsubishi Electric, we are always concerned about the energy saving is not just about help saving cost, but decreases usage of any unnecessary resources.

2 Doors



## MR-FS51ES 413L

**Top Freezer**  
**Dimension (mm)**  
699 (W) x 1820 (H) x 735 (D)

---

**Weight (kg)**  
86

**Gross Capacity**

**F**  
Freezer Compartment  
102 Litres

**R**  
Refrigerator Compartment  
311 Litres

- Main Features:**
- Anti Bacteria Food Liner
  - Multi Air Flow
  - Minus Ion
  - Frost Free
  - Vitamin Factory
  - Door Alarm
  - Tempered Glass Shelves
  - Neuro Inverter System
  - Deodorizer (Filter With Blue Catalyst)

### COLOURS



## MR-F62EG 560L

**Top Freezer**  
**Dimension (mm)**  
751 (W) x 1777 (H) x 795 (D)

---

**Weight (kg)**  
93

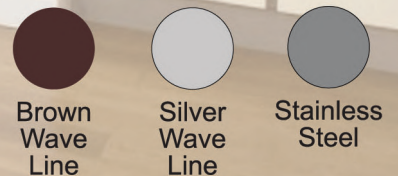
**Gross Capacity**

**F**  
Freezer Compartment  
178 Litres

**R**  
Refrigerator Compartment  
382 Litres (F62EG)

- Main Features:**
- Anti Bacteria Food Liner
  - Multi Air Flow
  - Minus Ion
  - Frost Free
  - Vitamin Factory
  - Tempered Glass Shelves
  - Neuro Inverter System

### COLOURS



# 2 Doors FC Series



## MR-FC25EP 236L



### Top Freezer

Dimension(mm)  
555 (W) x 1378 (H) x 672 (D)

Weight (kg)  
47

### Gross Capacity

**F**  
Freezer Compartment  
77 Litres

**R**  
Refrigerator Compartment  
159 Litres

### Main Features:

- Anti Bacteria Food Liner
- Anti Bacteria Door Gasket
- Frost Free
- Tempered Glass Shelves
- Neuro Inverter System
- Deodorizer



## MR-FC29EP 263L



### Top Freezer

Dimension(mm)  
555 (W) x 1476 (H) x 662 (D)

Weight (kg)  
50

### Gross Capacity

**F**  
Freezer Compartment  
77 Litres

**R**  
Refrigerator Compartment  
186 Litres

### Main Features:

- Anti Bacteria Food Liner
- Anti Bacteria Door Gasket
- Frost Free
- Tempered Glass Shelves
- Neuro Inverter System
- Deodorizer



## MR-FC34EP 309L



### Top Freezer

Dimension(mm)  
555 (W) x 1693 (H) x 662 (D)

Weight (kg)  
54

### Gross Capacity

**F**  
Freezer Compartment  
87 Litres

**R**  
Refrigerator Compartment  
222 Litres

### Main Features:

- Anti Bacteria Food Liner
- Anti Bacteria Door Gasket
- Frost Free
- Tempered Glass Shelves
- Neuro Inverter System
- Minus Ion
- Door Alarm
- Deodorizer



## MR-FC37ER 314L



### Top Freezer

Dimension(mm)  
635 (W) x 1498 (H) x 701 (D)

Weight (kg)  
60

### Gross Capacity

**F**  
Freezer Compartment  
103 Litres

**R**  
Refrigerator Compartment  
211 Litres

### Main Features:

- Anti Bacteria Food Liner
- Anti Bacteria Door Gasket
- Frost Free
- Tempered Glass Shelves
- Neuro Inverter System
- Minus Ion
- Door Alarm
- Deodorizer



# 2 Doors FX Series

## Energy Efficiency

Neuro Inverter System controls the Neuro Fuzzy Microprocessor, inverter compressor, and fan speed. Neuro Fuzzy can adjust to the most suitable operation and memorize the household's usage pattern through various time frames to automatically operate the refrigerator in optimal condition.



### MR-FX43EN

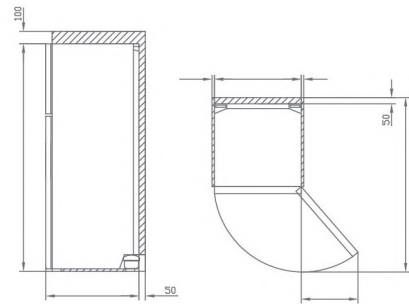
**Dimension (mm)**  
699 (W) x 1620 (H) x 720 (D)

**Gross Capacity**  
389 Litres

**Net Capacity**  
331 Litres

**Main Features:**

- Vitamin Factory
- Glass Door
- Anti Bacteria Food Liner
- Anti Bacteria Door Gasket
- Multi Airflow
- Deodorizer
- Frost Free
- Tempered Glass Shelves
- Neuro Inverter System
- Minus Ion
- Door Alarm



### COLOURS



Glass Stellar Silver



Glass Brilliant Black



### MR-FX47EN

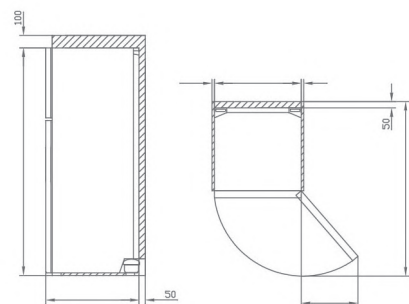
**Dimension (mm)**  
699 (W) x 1720 (H) x 720 (D)

**Gross Capacity**  
421 Litres

**Net Capacity**  
362 Litres

**Main Features:**

- Vitamin Factory
- Glass Door
- Anti Bacteria Food Liner
- Anti Bacteria Door Gasket
- Multi Airflow
- Deodorizer
- Frost Free
- Tempered Glass Shelves
- Neuro Inverter System
- Minus Ion
- Door Alarm





# 3 Doors CGX Series

## COLOURS

-  Glass Antique Brown
-  Glass Brilliant Black



## MR-CGX56EP-ML

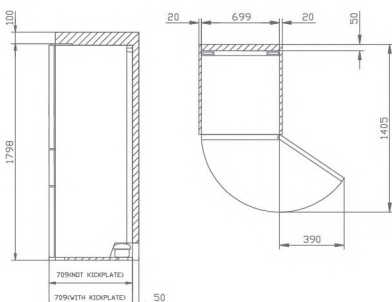
**Dimension (mm)**  
699 (W) x 1798 (H) x 709 (D)

**Gross Capacity**  
492 Litres

**Net Capacity**  
361 Litres

### Main Features:

- Automatic Ice Maker
- Supercool Chilling Case
- Vitamin Factory
- Glass Door
- Multi Airflow
- Deodorizer
- Frost Free
- Tempered Glass Shelves
- Neuro Inverter System
- Minus Ion
- Door Alarm



## MR-CGX46EN-ML

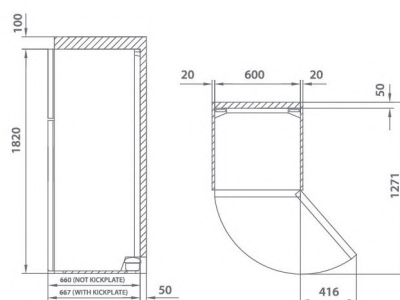
**Dimension (mm)**  
600 (W) x 1820 (H) x 660 (D)

**Gross Capacity**  
402 Litres

**Net Capacity**  
298 Litres

### Main Features:

- Automatic Ice Maker
- Supercool Chilling Case
- Vitamin Factory
- Glass Door
- Multi Airflow
- Deodorizer
- Frost Free
- Tempered Glass Shelves
- Neuro Inverter System
- Minus Ion
- Door Alarm



## MR-CGX41EN-ML

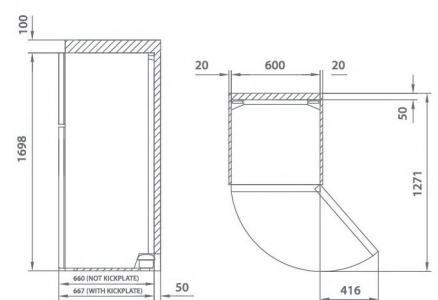
**Dimension (mm)**  
600 (W) x 1698 (H) x 660 (D)

**Gross Capacity**  
370 Litres

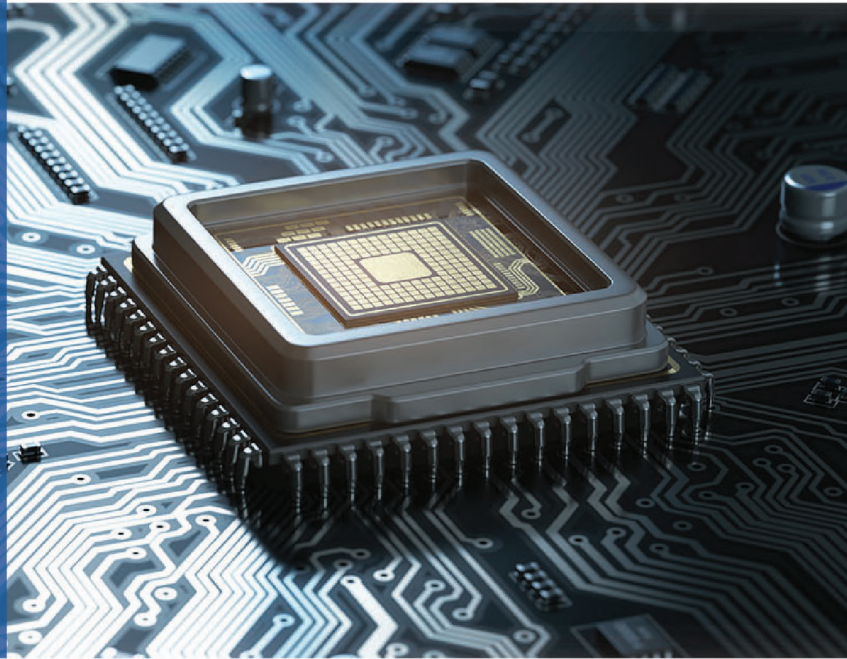
**Net Capacity**  
266 Litres

### Main Features:

- Automatic Ice Maker
- Supercool Chilling Case
- Vitamin Factory
- Glass Door
- Multi Airflow
- Deodorizer
- Frost Free
- Tempered Glass Shelves
- Neuro Inverter System
- Minus Ion
- Door Alarm



# 4 Doors Features

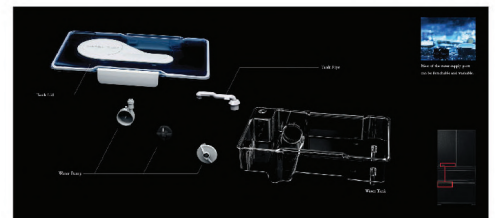


## THE NEURO FUZZY SYSTEM

Memorizes the household's usage patterns through various time frames to automatically operate the most optimal conditions by microprocessor. In other words, Neuro Fuzzy can adjust the best operating for your household's usage.

## AUTOMATIC ICE MAKER

The non-plumbed automatic ice maker produces a continuous supply of ice cubes with just a simple refilling the water into a separate water tank. It removes the load of having to refill ice trays whenever they get empty. In addition, most the parts can be easily removed for cleaning.



## SUPERCOOL CHILLING CASE

With the sub-zero cooling technology, ones could eliminate the constant issue of freezer burn and hassle of defrosting food for food preparation. This feature is designed for storing meat, fish and other perishable foods at the temperature between -3C to 0C, prevents complete freezing and food is ready to cook without the need to defrost it.



## ERGONOMIC & SPACIOUS DRAWER DESIGN

*Specially Designed To Suit Your Lifestyle*

With a more frequent usage of refrigerator compartment in everyday life, the refrigerator compartment is designed to be at the top for easy access and reduces bending of body. The drawer design comes with a dual shelf for extra space of storage, makes organization even easier.











## ENERGY EFFICIENCY

Neuro Fuzzy Inverter Technology memories your life patterns while constantly monitors the temperature within the refrigerator. It then will automatically adjust the power and running speed of the compressor accordingly to ensure an optimum and a quieter operation.




# Specification For Malaysia

Refrigerator Type			Freezer	1 Door	2 Doors Top Freezer						
Model			MF-U16J	MR-18PA	MR-FC25EP	MR-FC29EP	MR-FC34EP	MR-FC37ER	MR-FX43EN	MR-FX47EN	MR-FS51ES
MEPS Rating											
Capacity (Litre) [ISO standard]	Freezer Compartment	Net	-	-	64	64	72	103	95	95	102
		Gross	144	-	77	77	87	-	123	123	-
	Refrigerator Compartment	Net	-	-	153	179	216	211	236	267	311
		Gross	-	180	159	186	222	-	266	298	-
	Vegetable Compartment	Net	-	-	-	-	-	-	-	-	-
		Gross	-	-	-	-	-	-	-	-	-
Total	Net	-	-	217	243	288	314	331	362	413	
	Gross	144	180	236	263	309	-	389	421	-	
Dimension (mm.)	Width		480	555	555	555	555	635	699	699	699
	Height		1291	1214	1378	1476	1693	1498	1620	1720	1820
	Depth (Not Handle)		386	396	672	662	662	701	720	720	735
	Depth (With Handle)		-	-	-	-	-	-	-	-	-
Weight (kg.)	Net		38	34	42	45	49	55	73	76	77
	Gross		41	38	47	50	54	60	82	86	86
Cooling			Fan Cooling	Direct Cool	-	-	-	-	Multi Airflow		
Frost Free			●	Semi-Auto	●	●	●	●	●	●	●
CFC Free			●	●	●	●	●	●	●	●	
Anti-bacteria Food Liner			-	-	●	●	●	●	●	●	
Anti-bacteria Door Gasket			●	●	●	●	●	●	●	●	
Deodorizer			-	-	●	●	●	●	Filter	Filter	Filter
Minus Ion			-	●	-	-	●	●	●	●	●
Vitamin Factory			-	-	-	-	-	●	●	●	
Door Alarm			-	-	-	-	●	●	●	●	
Neuro Inverter System			-	-	●	●	●	●	-	-	●
Supercool Chilling			-	-	-	-	-	-	-	-	
Glass Door			-	-	-	-	-	●	●	-	
Colour	Silver			SL		SL		SL			SSL
	Brown				BR	BR	BR	BR			BR
	Onyx Black			OB	OB	OB	OB				
	Shiny Black										
	Hairline Silver										
	Silver Wave Line										
	Stainless Steel										
	Brown Wave Line										
	Pure White										
	Glass Brilliant Black								GBK	GBK	
	Glass Stellar Silver								GSL	GSL	
	White										

**Remarks:**\*Gross Capacity based on AS standards (Australia) \*\*Net Capacity based on JIS Standards (Japan)  
 These Mitsubishi Refrigerator products have been type-tested and considered as being in compliance with the safety requirement of the Standard (IEC 335-2-24: 1984 & Amendment 1:1987 ISO: 15502) and hence approved the entered into the register of Approves Controlled Goods, pursuant to the Consumer Protection (Safety requirements) Regulation 1991. The registration is not an endorsement of quality control systems which are part of the manufacturing process.

# Specification For Malaysia

3 Doors Bottom Freezer			2 Doors Top Freezer	4 Doors Drawer Style Bottom Freezer	4 Doors French Style Bottom Freezer
MR-CGX41EN-ML	MR-CGX46EN-ML	MR-CGX56EP	MR-F62EG	MR-LX68EM	MR-LA78ER
-	-	-		-	-
55	55	74	144	94	179
104	104	133	178	180	-
167	199	232	357	295	456
189	221	262	382	333	-
44	44	55	-	67	-
77	77	97	-	117	-
266	298	361	501	456	635
370	402	492	560	630	-
600	600	699	751	900	950
1698	1820	1798	1777	1798	1818
660	660	709	795	735	769
667	667	709	-	-	-
67	71	85	84	110	124
75	79	94	93	123	137
Multi Airflow	Multi Airflow	Multi Airflow	Multi Airflow	Multi Airflow	Twin Fan Multi Airflow
●	●	●	●	●	●
●	●	●	●	●	●
-	-	-	●	●	●
-	-	-	●	●	●
Filter	Filter	Filter	Filter		Filter
-	-	-	●	-	-
●	●	●	●	●	●
●	●	●	●	●	●
●	●	●	-	●	●
●	●	●	-	●	-
●	●	●	-	●	●
OB	OB	OB	SLW		
PWH	PWH	PWH	ST	GBK	
			BRW	GSL	
					GBK
					WH

4 Doors

“It’s Time To Live Large”



2 & 10  
YEARS YEARS  
GENERAL WARRANTY COMPRESSOR WARRANTY

COLOURS



Glass Brilliant Black



White

## MR-LA78ER

Dimension (mm)  
950 (W) x 1818 (H) x 769 (D)

Net Capacity  
635 Litres

### Main Features:

- Automatic Ice Maker
- Anti Bacteria Food Liner & Door Gasket
- Vitamin Factory
- Door Alarm
- Twin Fan Multi Air Flow
- Tempered Glass Shelves
- Deodorizer
- Glass door
- Neuro Inverter System

## MR-LX68EM

Dimension (mm)  
900 (W) x 1798 (H) x 735 (D)

Gross Capacity  
630 Litres

Weight (kg)  
123

2 & 10  
YEARS YEARS  
GENERAL WARRANTY COMPRESSOR WARRANTY

COLOURS



Glass Brilliant Black



Glass Stellar Silver

### Gross Capacity

- F** Freezer Compartment  
180 Litres
- R** Refrigerator Compartment  
333 Litres
- V** Vegetable Compartment  
117 Litres

### Main Features:

- Automatic Ice Maker
- Supercool Chilling Case
- Vitamin Factory
- Door Alarm
- Multi Air Flow
- Deodorizer
- Glass Door
- Frost Free
- Tempered Glass Shelves
- Neuro Inverter System



**Mitsubishi Malaysia Sales & Service Sdn Bhd**

**HEAD OFFICE:**

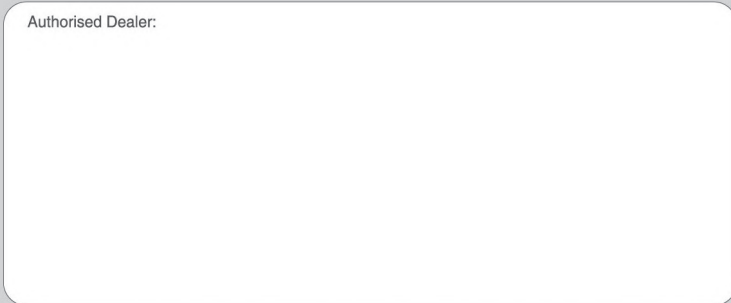
**MITSUBISHI ELECTRIC SALES MALAYSIA SDN BHD** (197101000755)

Lot 11, Jalan 219, PO Box 1036, 46860 Petaling Jaya  
 Selangor Darul Ehsan, Malaysia  
 Hotline: 1-300-13-1303 Fax: 03-7958 2576  
 Website: [www.mitsubishielectricmalaysia.com](http://www.mitsubishielectricmalaysia.com)

**Branches:**

Penang : Tel: 04-5101838 Fax: 04-5101835  
 Malacca : Tel: 012-977 9221  
 Johor : Tel: 07-364 2250 / 07-364 2256  
 Pahang : Tel: 017-733 1208 Fax: 09-516 2203  
 Kelantan : Tel: 010-403 2899  
 Perak : Tel: 012-608 5789  
 Sarawak : Tel: 016-866 1383

Authorised Dealer:



Mitsubishi Electric Consumer Products and Mitsubishi Electric Shizuoka Works acquired ISO 9001 certification under Series 9000 of the International Standard Organization (ISO) based on a review of Quality Warranties for the production of air conditioning equipment. The plant also acquired environmental management system standard ISO 14001 certification.